

# Hawle-SYNO2000 connector

## Ideal for repairs and network expansions with plastic pipes

### Design features

- Specially developed for repairs or expansion of existing networks using plastic pipes
- Easy assembly and disassembly (superiour mechanical connection, no welding, minimal assembly and disassembly forces)
- The SYNO2000 can be used as a sliding connector upon removal of the pipe stop ring (Note: when used as a sliding connector chamfer the pipe firstly)

### System 2000 socket

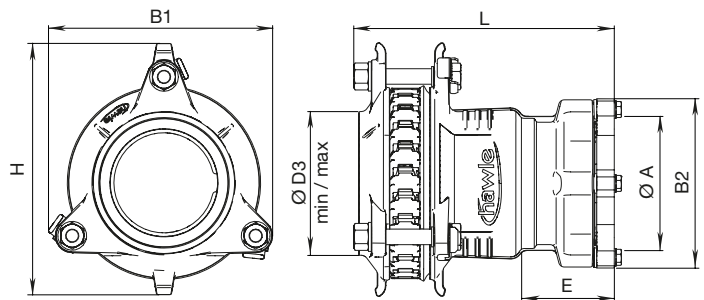
- Using a lip seal ring for sealing the pipe allows for easier insertion of the pipe into the System 2000 socket
- The pipe restraining system is required for pushing the pipe into the seal and chamfer with an appropriate tool
- For PE pipes with thin walls (up to 3 mm wall thickness) and low internal pressure we recommend using a support liner (see page M 6/2)
- Suitable for **PE pipes 80/100**, EN 12201, DIN 8074
- For **PVC pipes** according to EN ISO 1452-2

Synoflex socket (see Page E 2/1)

### Material | Technical features

<b>Body and lock rings</b>	made of ductile iron, epoxy powder coated
<b>Gasket</b>	made of elastomer
<b>System 2000 grip ring</b>	made of brass

### Syno2000 No. 7975



### Application examples



Synoflex socket DN	System 2000 socket	MOP (PN)	Synoflex socket				System 2000 socket			L	Weight
			B1	H	Ø Pipe D3 min/max	Bolts	E	B2	Ø Pipe A		
50	63	16	141	170	56 – 71	3 x M 12-80	80	124	63	238	4,0
80	90		171	204	85 – 105	3 x M 12-80	85	152	90	253	6,2
100	110		226	260	104 – 132	3 x M 16-100	85	172	110	285	10,2
	91						195	125	289	10,8	
150	160		315	350	155 – 192	4 x M 16-110	105	236	160	326	17,2
	119						258	180	336	19,6	
200	200		326	371	198 – 230	6 x M 16-130	129	284	200	342	30,0
	127						314	225	354	30,5	
250	250		408	464	265 – 310	6 x M 20-130	148	347	250	406	45,8
	151						376	280	407	46,8	
300	315	10	510	510	313 – 356	8 x M 20-130	178	422	315	444	68,0
350	355		550	550	352 – 396	12 x M 20-130	238	472	355	541	87,0
400	400		596	596	398 – 442	12 x M 20-130	261	490	400	573	112,0