

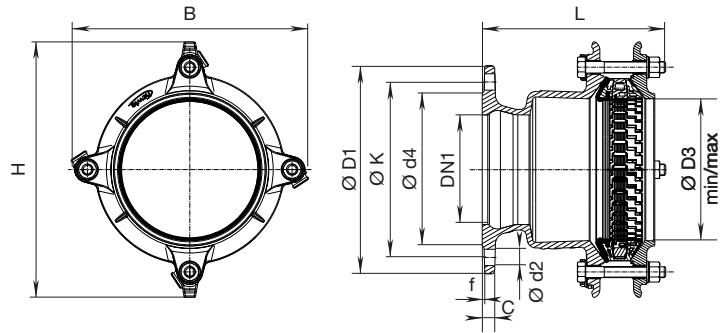
Hawle-Synoflex

Design features

- **Hawle-Synoflex socket system** provides high quality restraint connections to all common water supply pipes. The patented Hawle-Synoflex secures steel, DCI, PE/PVC and AC* pipes with fully corrosion protected connections
- Flange sized and drilled in accordance with EN 1092-2, PN 10 standard; EN 1092-2, PN 16 for DN 200 to DN 400 please specify on order - other standards on request



Synoflex flange No. 7994



Application examples



Flange DN1	Socket DN	MOP (PN)	Flange					Bolts (flange)			B	H	Ø Pipe D3 min/max	L	Bolts	Weight
			Ø D1	C	Ø K	Ø d4	f	Quantity	Thread	Ø d2						
50	50	10/16	165	18	125	98	4	4	M 16	19	141	170	56 – 71	204	3 x M 12-80	5,1
65	65	10/16	185	18	145	118	4	4	M 16	19	156	187	71 – 88	204	3 x M 12-80	6,1
80	65	10/16	198	18	160	133	4	8	M 16	19	156	187	71 – 88	205	3 x M 12-80	6,3
80	80	10/16	198	18	160	133	4	8	M 16	19	171	204	85 – 105	194	3 x M 12-80	7,1
80	100	10/16	198	18	160	133	4	8	M 16	19	226	260	104 – 132	263	3 x M 16-100	10,2
100	80	10/16	220	18	180	153	4	8	M 16	19	171	204	85 – 105	188	3 x M 12-80	7,4
100	100	10/16	220	18	180	153	4	8	M 16	19	226	260	104 – 132	225	3 x M 16-100	10,8
100	125	10/16	220	18	180	153	4	8	M 16	19	250	290	131 – 160	273	3 x M 16-110	13,2
125	100	10/16	250	14	210	183	4	8	M 16	19	226	260	104 – 132	235	3 x M 16-100	11,8
125	125	10/16	250	18	210	183	4	8	M 16	19	250	290	131 – 160	243	3 x M 16-110	13,2
125	150	10/16	250	14	210	183	4	8	M 16	19	315	350	155 – 192	271	4 x M 16-110	19,2
150	125	10/16	285	18	240	209	4	8	M 20	23	250	290	131 – 160	240	3 x M 16-110	14,0
150	150	10/16	285	18	240	209	4	8	M 20	23	315	350	155 – 192	251	4 x M 16-110	16,7
150	200	10/16	285	14	240	209	4	8	M 20	23	326	371	198 – 230	309	6 x M 16-120	25,9
200	150	10/16	340	15	295	264	4	8/12	M 20	23	315	350	155 – 192	261	4 X M 16-110	22,1
200	200	10/16	340	19	295	264	4	8/12	M 20	23	326	371	198 – 230	269	6 x M 16-120	24,8
200	225	10/16	340	19	295	264	4	8/12	M 20	23	361	410	230 – 260	310	6 x M 20-130	31,4
250	200	10/16	400	16	350/355	319	4	12	M 20/M 24	23/28	326	371	198 – 230	314	6 x M 16-120	30,8
250	250	10/16	400	20	350/355	319	4	12	M 20/M 24	23/28	408	464	265 – 310	325	6 x M 20-130	40,0
300	300	10/16	455	22	400/410	367	4	12	M 20/M 24	23/28	510	510	313 – 356	344	8 x M 20-130	53,0
350	350	10	520	24	460	427	4	16	M 20	23	550	550	352 – 396	351	12 x M 20-130	67,2
400	400	10	580	25	515	477	4	16	M 24	28	596	596	398 – 442	366	12 x M 20-130	77,8