

# E3 Valve - BAIO Socket-Socket



For ductile iron, steel, PE and PVC pipes,  
DN 80 – 300, PN 16

## Design features

- Resilient seated gate valve with smooth straight-through bore
- With socket for ductile iron pipes
- One extension spindle for several dimensions
- Suitable for operation by automatic actuators
- Suitable for cleaning with a cleaning pig
- Easy retrofitting of position indicator and automatic actuators on the standard bonnet

No. 4500E3

**Standard version:** without handwheel and extension spindle  
without gaskets

## Suitable accessories

**Suitable accessories:** see page G 1/2

Handwheel:		No. 7800
Extension spindles:	rigid	No. 9000E2/E3
	telescopic	No. 9500E2/E3
Surface boxes:	rigid	No. 1750
	telescopic	No. 2050, No. 2051K
Restraint clamp:	Hawle stop	No. NL80, NL78 NL82, NL84
	BAIO lip seal (BLD):	for DCI pipes No. NL85
GKS pipe seal:	for PE/PVC pipes	No. NL86
Actuator:		No. 9920
Adapter for actuator (E2/E3 adapter):		No. 8630E2/E3
Base plate:	No. 3481, No. 3482	
Sealing cap:	No. 2156, No. 2157	
Spindle extension:	No. 7820, No. 7825	
Position indicator:	No. 2170E2/E3	
HAWAK pillar:	No. 9894, No. 9895	

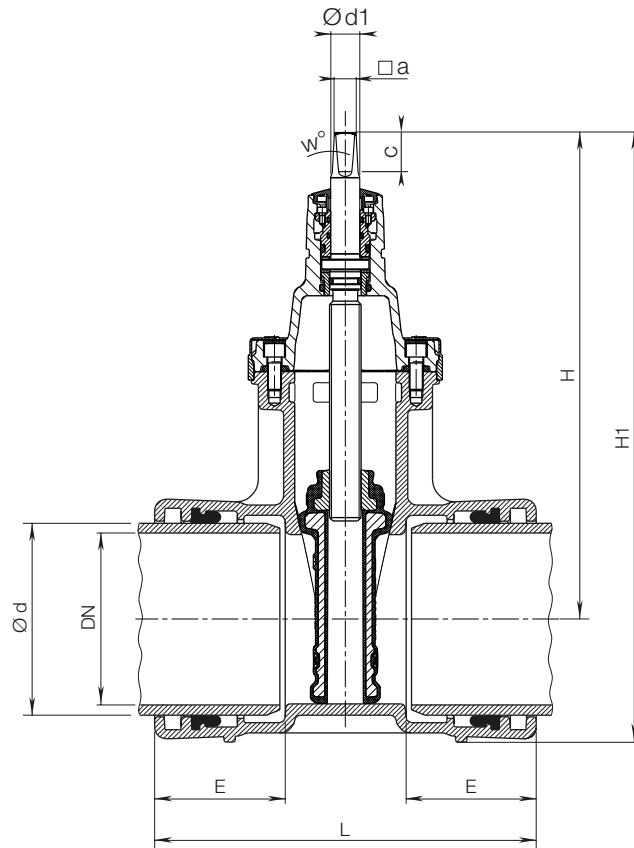


Order no.	MOP (PN)	Dimension/DN						
		80	100	125	150	200	250	300
4500E3	16							

# E3 Valve - BAIO Socket-Socket

For ductile iron, steel, PE and PVC pipes, DN 80 – 300, PN 16

No. 4500E3



DN	Pipe $\varnothing d$	Valve						Spindle				Hawle-Stop
		E	H	H1	L	max. width	Weight	$\square a$	c	$w^\circ$	$\varnothing d1$	Weight
80	98	110	313	433	300	180	18,0	17,3	35	3°	24	3,7
100	118	105	343	475	300	213	23,5	19,3	38		24	4,7
125	144	115	421	566	345	285	34,0	19,3	38		26	5,0
150	170	115	433	595	340	285	38,0	19,3	38		26	5,5
200	222	125	541	735	365	357	53,0	24,3	48		30	9,5
250	274	174	649	874	470	432	89,0	27,3	48		36	10,1
300	326	198	731	986	537	518	162,0	27,3	48		36	12,9