

BAIO - Fittings

Without gaskets

Design features

- BAIO socket / BAIO socket
- Angles 11°, 22°, 30°, 45° on request

DN	MOP (PN)	L	E	Weight
80	16	220	105	9,30
100		255	120	12,30
125		275	125	17,00
150		315	125	21,90
200		390	145	35,00

Design features

- BAIO socket / BAIO spigot

DN	MOP (PN)	L	E	Weight
80	16	185	105	6,30
100		205	120	9,30
150		230	125	15,20
200		355	145	25,30

Design features

- BAIO socket / BAIO socket / BAIO socket

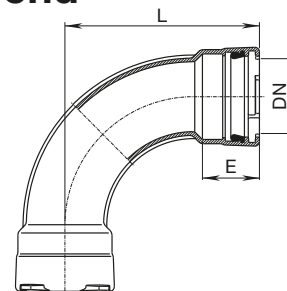
DN	DN1	MOP (PN)	L	E	H	E1	Weight
80	80	16	380	105	190	105	13,30
100	80		410	120	200	105	16,80
100	100		420	120	215	120	17,50
125	125		465	125	225	125	23,60
150	80		415	125	230	105	22,10
150	100		495	125	235	120	25,35
150	150		500	125	250	125	27,40
200	80		460	145	250	105	33,10
200	100		485	145	265	120	34,20
200	150		540	145	275	125	39,00
200	200		600	145	300	145	44,00
250	80		552	166	277	105	48,00
250	100		572	166	303	120	49,00
250	150		641	166	314	123	65,00
250	200		694	182	339	123	66,50
250	250		747	166	376	166	71,10
300	80		614	182	328	105	65,00
300	100		614	182	328	120	65,00
300	150		678	182	328	123	78,00
300	200		738	182	379	143	78,00
300	300	844	182	425	182	101,00	

Design features

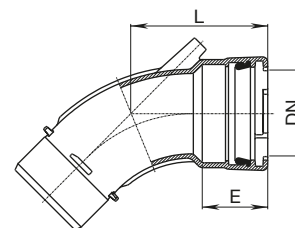
- DN 80 – 200, PN 16

DN	MOP (PN)	L	E	Weight
80	16	390	105	17,40
100		420	120	23,40
150		500	125	29,00
200		600	145	49,50

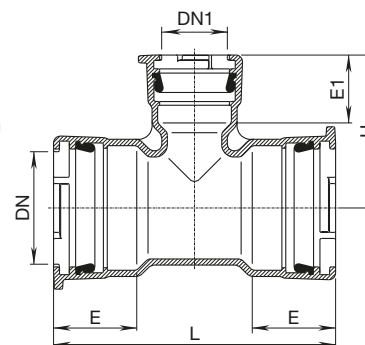
BAIO 90° MMQ bend No. NL30



BAIO MSK 45° bend No. NL57



BAIO MMB-tee piece No. NL20



BAIO MTT-cross piece No. NL25

