

H4 Corrosion free hydrant

Break away, PN 16



Technical features

Standard: ÖNORM (Austrian standard)
F 2010 - EN 14384, EN 1074-6
with break away line

Max. operating pressure: 16 bar

Standard pipe cover: 1,50 m
(on request 1,25 m and 1,00 m possible)

Rate of flow: Rate of flow Q (m³/h) at a differential pressure of 1 bar is for all HAWLE-H4 hydrants higher than requested by ÖNORM F 2010 and EN 14384
K_v[m³/h]

Remaining water content: < EN 1074-6

- Flange sized and drilled in accordance with EN 1092-1 | PN 16

Material

Hydrant head: aluminium alloy, UV resistant coated

Stand pipe: thick walled stainless steel pipe, polished, with additional outside coating of the below ground area

Operating controls: stainless steel

Base: cast stainless steel, with additional outside coating

Suitable accessories

Suitable accessories: see page H 1/2

Hawle drainage pipe No. 5067
Flanged duck foot bend No. 5045, No. 5046, No. 5049
Operating key No. 3460, No. 3461
Flat gasket No. 3390
Bolts No. 8810, No. 8830, No. 8840

No. 5195H4

No. 5196H4



Order No.	Colour / RAL	DN	Outlet			Weight
			A	B	C	
5195H4	red / 3003	80		1	2	69,5
	blue / 5003					
5196H4*	red / 3003	80		2		68,0
	blue / 5003					
5195H4	red / 3003	100	1	2		74,0
	blue / 5003					
	red / 3003	150	1	2		79,0
blue / 5003						
5196H4*	red / 3003	100		2		69,0
	blue / 5003					

* ÖVGW (Austrian Association for Gas and Water) tested

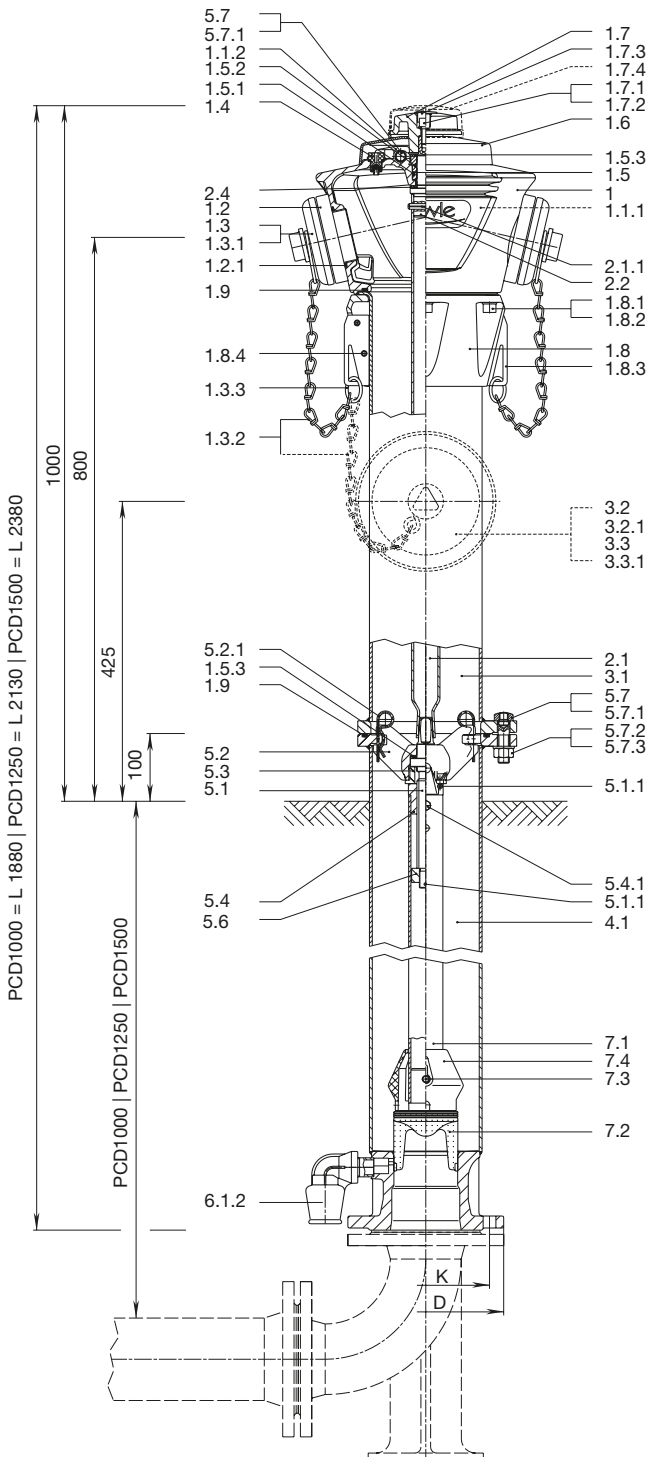
Other colours on request

Application example



H4 Corrosion free hydrant

Break away, PN 16



Upper coupling connecting angle 77°

DN	Outlet			Pipe cover PCD	Base flange sized and drilled according to EN 1092-1			Bolts	Quantity
	A	B	C		DN	D	K		
80	1	2	2	1,50 m	80	200	160	M 16	8
	2	2	2	1,25 m	100	220	180		
100	1	2	2	1,00 m	100	220	180		
	2	2	2						

	Parts	Material
1	Hydrant head	Al
1.1.1	Identification plate	metallic foil
1.1.2	Bolt fastener	elastomer
1.2	DN 80 C coupling DIN 14317 - C1 52 mm DN 100 B coupling DIN 14318 - B1 75 mm	Al
1.2.1	DN 80 O-ring 64 x 4 DN 100 O-ring 79 x 4	elastomer
1.3	DN 80 C cap DIN 14317 - C 4 DN 100 B cap DIN 14318 - B 4	Al
1.3.1	DN 80 C flat seal ring DIN 14317 - C3 DN 100 B flat seal ring DIN 14318 - B3	elastomer
1.3.2	Chain with S-hooks	stainless steel
1.3.3	Ring for chain	stainless steel
1.4	Air valve	POM
1.5	O-ring bush	brass
1.5.1	O-ring 32 x 4	elastomer
1.5.2	O-ring 25 x 3.5	elastomer
1.5.3	Friction washer	POM
1.6	Cap	Al
1.7	Operating nut	Al
1.7.1	Washer A 13	stainless steel
1.7.2	Allen bolt M 12 x 30	stainless steel
1.7.3	Isolating cap	PE
1.7.4	Theft safety device	polystyrene
1.8	Head flange for hydrant head	Al
1.8.1	Washer A 13	stainless steel
1.8.2	Allen bolt M 12 x 40	stainless steel
1.8.3	Fixing strap	stainless steel
1.8.4	Brace 8 x 16	stainless steel
1.9	O-ring 170 x 6	elastomer
2.1	Extension spindle	stainless steel
2.1.1	Brace 8 x 50	stainless steel
2.2	Pin	stainless steel
2.4	Friction washer	POM
3.1	Stand pipe - upper part	stainless steel
3.2	DN 80 B coupling DIN 14318 - B1 75 mm DN 100 A coupling DIN 14319 - A1 110 mm	Al
3.2.1	DN 80 O-ring 79 x 4 DN 100 O-ring 116 x 4	elastomer
3.3	DN 80 B cap DIN 14318 - B4 DN 100 A cap DIN 14319 - A4	Al
3.3.1	DN 80 B flat seal ring DIN 14318 - B3 DN 100 A flat seal ring DIN 14319 - A3	elastomer
4.1	Stand pipe - lower part	stainless steel
5.1	Spindle break away	stainless steel
5.1.1	Pin 4 x 25	stainless steel
5.2	Spindle housing	brass
5.2.1	Spring clip	stainless steel
5.3	Securing bush	POM
5.4	Stem nut	Brass
5.4.1	Hexagonal bolt M 8 x 10	stainless steel
5.6	Stop nut	stainless steel
5.7	Hexagonal bolt with break away line M 16 x 60	stainless steel
5.7.1	Plug for bolt	PE
5.7.2	Washer A 17	stainless steel
5.7.3	Hexagonal nut M 16	stainless steel
6.1.2	Fitting 1" / 90°	POM
7.1	Operating pipe	stainless steel
7.2	Valve plug	brass/elastomer
7.3	Securing pin for valve plug	stainless steel
7.4	Flow former	PE