

Hawle ZAK-System

Service valve

Design features

- Resilient seated gate valve
- With ZAK spigot and ISO socket
- For vertical outlet

Order No.	MOP (PN)	Version		Dimension/DN			
				¾"	1"	1¼"	1½"
3160	16	With ZAK spigot and ISO socket	ZAK 34				
			ZAK 46				

DN		Ø PE-pipe	H	H1	L	t	a	c	Ød1	Weight
¾"	ZAK 34	25	240	159	80	52	10,3	20	16	2,30
1"		32	240	159	80	63	10,3	20	16	2,40
1¼"	ZAK 46	40	272	190	106	76	10,3	20	16	4,15
1½"		50	286	190	220	91	10,3	20	16	4,25

Design features

- Resilient seated gate valve
- With ZAK spigot and ZAK socket
- For vertical outlet

Order No.	MOP (PN)	Version		Dimension/DN
3161	16	With ZAK spigot and ZAK socket	ZAK 46	1½"

DN		H	H1	L	a	c	Ød1	Weight
1½"	ZAK 46	297	190	69	10,3	20	16	3,90

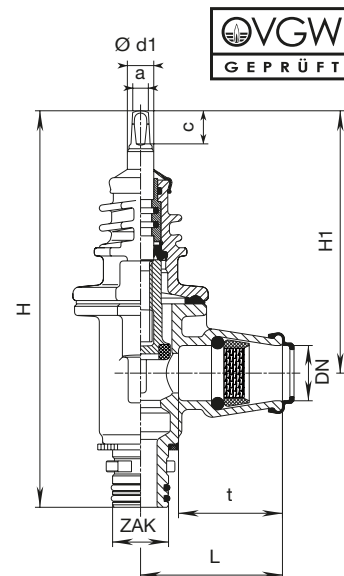
Design features

- Resilient seated gate valve
- With automatic drainage
- With two horizontal outlets

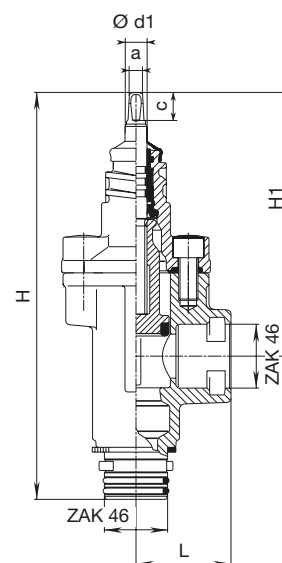
Order No.	MOP (PN)	Version		Dimension DN
2830	16	With automatic drainage device and two ZAK-sockets	ZAK 46	1½"

DN		H	L	L1	L2	a	c	Ød1	Weight
1½"	ZAK 46	243	148	70	78	10,3	20	16	4,15

ZAK-service valve No. 3160



ZAK-service valve No. 3161



ZAK-service valve No. 2830

