

Extension spindles

Rigid or telescopic

Design features

- One extension spindle for several dimensions
- Protective cover with integrated locking mechanism
- No additional fixing (bolt/pin) necessary
- DN 50 to 200

Order No.	Version	Pipe cover (RD)	Dimension/DN		
			50/65/80/100	125/150	200
9000E2/E3	rigid	1,00 m			
		1,25 m			
		1,50 m			
		2,00 m			
		2,50 m			
9500E2/E3	telescopic	1,30 – 1,80 m			
		1,35 – 1,80 m			
		1,80 – 2,50 m			
		2,50 – 3,50 m			

Other pipe cover depths on request

Suitable accessories

- **Extender for rigid spindle**
Order no. 7830 price for first meter
Order no. 7831 price for each additional half meter
- Please specify dimensions and length when ordering

Design features

- Attachment of the extension spindle to the valve spindle takes place with a stainless steel splint
- DN 250 to 600

Order No.	Version	Pipe cover (RD)	Dimension/DN					
			250	300	350	400	500	600
9000E2/E3	rigid	1,00 m						
		1,25 m						
		1,50 m						
		1,90 m						
		2,00 m						
		2,40 m						
		2,50 m						
9500E2/E3	telescopic	1,40 – 1,80 m						
		1,50 – 1,80 m						
		1,90 – 2,20 m						
		2,00 – 2,30 m						
		2,00 – 2,50 m						
		2,50 – 3,50 m						

Other pipe cover depths on request

For E3 and E2 valves and E3 Combi valves DN 50 – 200

No. 9000E2/E3

Rigid

No. 9500E2/E3

Telescopic



For E3 and E2 valves DN 250 – 600

No. 9000E2/E3

Rigid

No. 9500E2/E3

Telescopic



Extension spindles

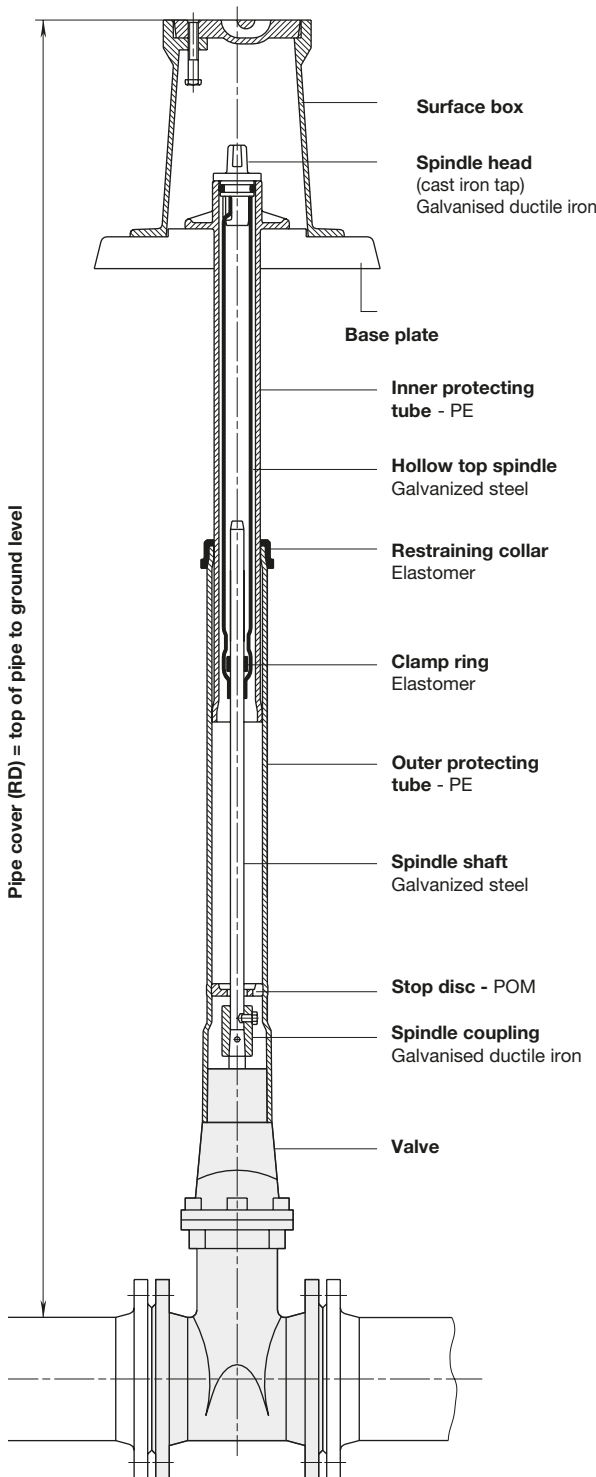
Rigid or telescopic

No. 9000E2/E3 / 9500E2/E3

All extension spindles (rigid or telescopic) of all types and dimensions are protected against dirt and surface water.

The telescopic extension spindle can be progressively adjusted to ground level. This is done by pushing or pulling the tube and the spindle shaft.

The telescopic effect protects the pipe and fitting from surface impact.



Spindle head | square

For service valves	a 27 mm
	b 32 mm
For valves and combi valves	c 48 mm

9000E2/E3	Weights extension spindles, rigid – DN									
Pipe cover (RD)	50/65/80/100	125/150	200	250	300	350	400	500	600	
1,00 m	3,50	2,80	2,70	3,10	3,00					
1,25 m	4,50	3,70	3,50	4,70	4,30	4,20	3,55			
1,50 m	5,50	4,80	4,50	6,00	5,80	5,40	5,00			
1,90 m								7,40		
2,00 m	7,45	6,60	6,50	9,00	8,70	8,45	7,80		7,40	
2,40 m								7,40		
2,50 m	9,40	8,60	8,50	12,20	12,00		9,67		7,40	

9500E2/E3	Weights extension spindles, telescopic – DN									
Pipe cover (RD)	50/65/80/100	125/150	200	250	300	350	400	500	600	
1,30 – 1,80 m	6,60	6,25								
1,35 – 1,80 m			6,10							
1,40 – 1,80 m				7,30						
1,50 – 1,80 m					6,90	6,70	6,30			
1,90 – 2,20 m								8,80		
2,00 – 2,30 m									8,80	
1,80 – 2,50 m	9,50	8,90	8,60							
2,00 – 2,50 m				11,00	10,50	10,20	9,70			
2,50 – 3,50 m	12,80	12,00	11,90	15,30	14,90	14,50	14,20			
2,60 – 3,50 m								14,50	14,00	

Assembly instructions

Fig.: Assembly E3 extension spindle DN 50 – 200

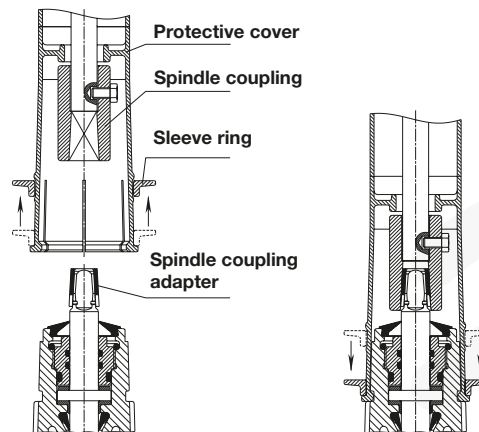


Illustration: 9500E2/E3 DN 250 – 600