

Extension spindles

Rigid or telescopic



Design features

- One extension spindle for several dimensions
- Threaded connection for attachment to the service valve
- No additional fixing (bolt/pin) necessary

Order No.	Version	Pipe cover (RD)	1/2" – 2"
9101	rigid	0,75 m	
		1,00 m	
		1,25 m	
		1,50 m	
		2,00 m	
		2,50 m	
9601	telescopic	0,60 – 0,80 m	
		0,80 – 1,20 m	
		1,00 – 1,60 m	
		1,30 – 1,80 m	
		1,80 – 2,50 m	
		2,50 – 3,50 m	

Other pipe cover depths on request

Suitable accessories

- **Extender for rigid spindle**
Order no. 7830 price for first meter
Order no. 7831 price for each additional half meter
- Please specify dimensions and length when ordering

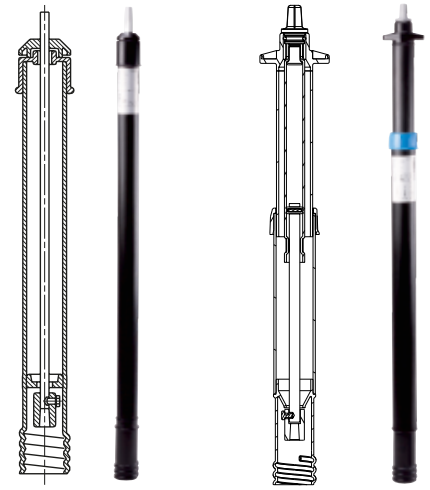
Extension spindle for service valves with threaded connection for spindle DN 1/2" – 2"

No. 9101

Rigid

No. 9601

Telescopic



Rigid

Telescopic

Design features

- One extension spindle for several dimensions

Order No.	Version	Pipe cover (RD)	Dimension/DN			
			Hawle-Elypso valve			
			50 – 80	100	125/150	200
9000A	rigid	1,00 m				
		1,25 m				
		1,50 m				
9500A	tele-scopic	1,30 – 1,80 m				
		1,35 – 1,80 m				
		1,40 – 1,80 m				
		1,80 – 2,50 m				
		2,00 – 2,50 m				
		2,50 – 3,50 m				

Extension spindle for Hawle-Elypso valves DN 50 – 200

No. 9000A

Rigid

No. 9500A

Telescopic



Rigid

Telescopic

DN 50 – 200

Extension spindles

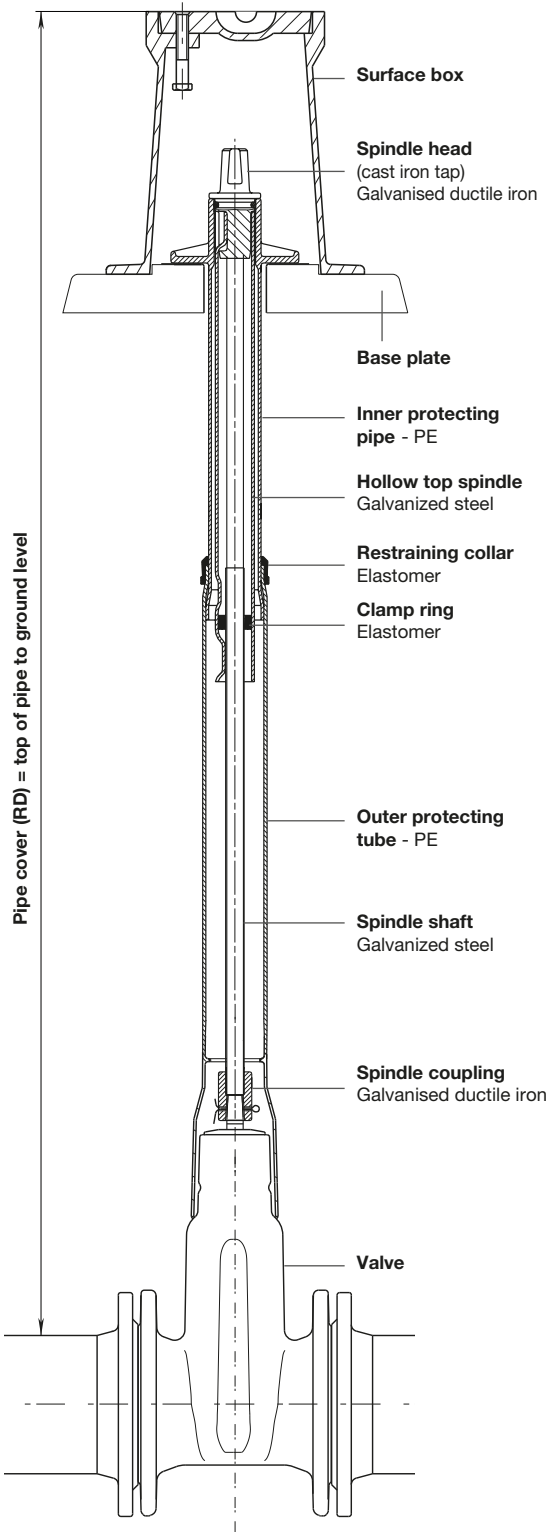
Rigid or telescopic

No. 9101 / 9601
No. 9000A / 9500A

All extension spindle dimensions and types (rigid or telescopic) are protected against dirt and surface water.

The telescopic extension spindle can be progressively adjusted to ground level. This is done by pushing or pulling the protecting tube and the spindle shaft.

The telescopic effect protects the pipe and fitting from surface impact.



Spindle head | square

	for service valves	a 13 mm
		b 15 mm
		c 24 mm
for gate valves	a 27 mm	
	b 32 mm	
	c 48 mm	

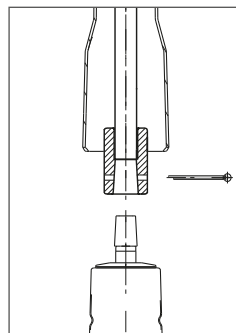
Weight of extension spindle for service valves

Order No.	9101					9601						
Length m	0,75	1,0	1,25	1,5	2,0	2,5	0,6-0,8	0,8-1,2	1,0-1,6	1,3-1,8	1,8-2,5	2,5-3,5
Weight	1,10	1,60	2,10	2,60	3,70	4,60	1,60	2,40	3,20	3,50	4,80	6,90

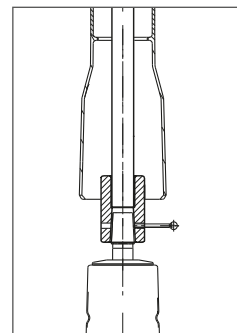
Weight of extension spindle for Elypso valves

Version	Order No.	Pipe cover (RD)	Dimension/DN			
			50 — 80	100	125/150	200
rigid	9000A	1,00 m	3,20	3,30	3,00	2,80
		1,25 m		4,20		
		1,50 m	5,30	5,30	5,00	4,80
telescopic	9500A	1,30 — 1,80 m	6,80	6,80	6,50	
		1,35 — 1,80 m				6,30
		1,40 — 1,80 m				
		1,80 — 2,50 m				
		2,00 — 2,50 m	9,40	9,50	9,20	9,00
2,50 — 3,50 m	12,90	12,90	12,40	12,50		

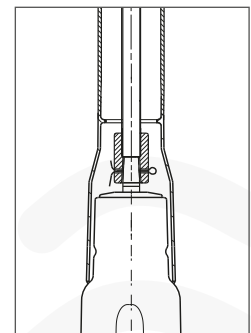
9000A / 9500A assembly instructions



Slide back outer protecting tube, remove split pin



Place extension spindle shaft over valve spindle



Slide outer protecting tube over gate valve housing

Illustration: Hawle-A extension spindle "telescopic", DN 80 — 200