

Design features of wide range steel fittings



1 Central body

Carbon steel central body conveniently built in order to allow a perfect movement of the gasket inside its dedicated conical seat.

2 Compression ring

Carbon steel compression followers which allow compression of the gasket onto the pipe surface upon tightening the bolts.

3 Gasket

Truncated-cone sealing gasket which can be perfectly inserted between the central body of the coupling and the circumference of the pipe. It allows a complete hydraulic seal and a 30 mm or 50 mm of tolerance range on pipe OD.

4 Bolt holes

Round or square holes for the bolt installation.

5 Compression bolts

The compression bolts allow the approaching of the compression flanges and the consequent compression of the gasket onto the pipe.

6 Connection flange (Flanged version)

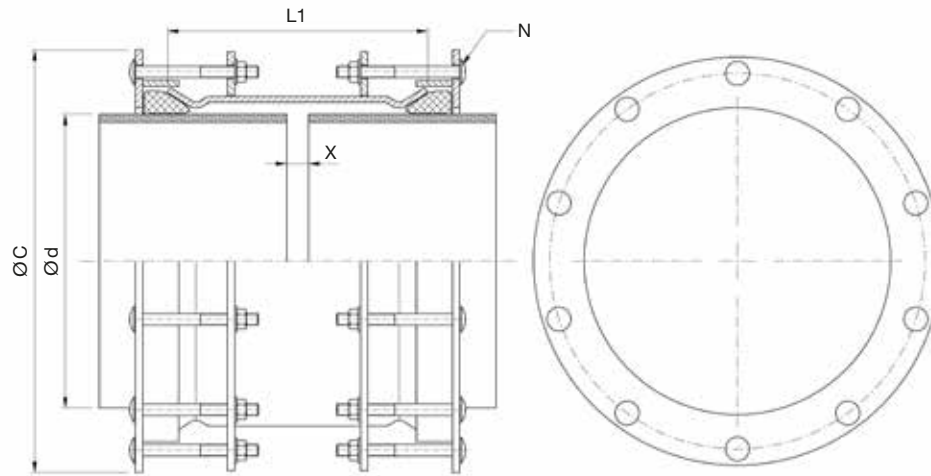
Carbon steel flange.

7 Separate bolt version

Independent tightening of the bolts, improves the coupling alignment and the performance of the gasket.

Wide range NSLSN10D

Double bolt coupling



Multisize series and wide range steel fittings provide the maximum hydraulic seal, however do not restrain axial pipes movement (for this type of products please refer to the MULTIGRIP section)

Other sizes or ranges on request

DN	MOP (PN)	Ø d		L1	Max. external dimension ØC	Compression bolts	Gap X		Weight
		min.	max.			Quantity N	max.	min.	
300	6/10/16	320	350	346	500	16	50	20	77,0
350		340	370		520	20			83,0
		360	390		540				86,0
400		390	420		580	24			91,0
		410	440		600				94,0
450		435	465		620	28			101,0
		460	490		640				105,0
500		490	520		680	32			110,0
		510	540		700				113,0
600		535	565		720	36			120,0
		560	590		740				124,0
700		590	620		763	40			129,0
		620	650		793				134,0
800		645	675		818	44			138,0
		670	700		843				145,0
900		695	725		868	48			149,0
		720	750		893				153,0
1000		750	780		923	52			173,0
		780	810		953				178,0
1100		805	835		978	56			186,0
		835	865		1008				191,0
1200		860	890		1033	60			196,0
		895	925		1068				202,0
1300		925	955		1098	64			210,0
		955	985		1128				215,0
1400		985	1015		1158	68			263,0
		1000	1030		1173				269,0
1500		1030	1060		1203	72			275,0
		1060	1090		1233				282,0
1600		1080	1110		1253	76			286,0
		1100	1130		1273				293,0
1700		1130	1160		1303	80			300,0
	1160	1190	1333	306,0					
1800	1185	1215	1358	84	335,0				
	1205	1235	1378		343,0				
1900	1235	1265	1408	88	350,0				
	1300	1330	1473		368,0				
2000	1335	1365	1508	92	377,0				
	1385	1415	1558		389,0				
2100	1410	1440	1583	96	397,0				
	1440	1470	1613		404,0				
2200	1510	1540	1683	100	424,0				
	1585	1615	1758		442,0				
2300	1610	1640	1783	104	450,0				
	1650	1680	1823		460,0				
2400	1825	1855	1998	108	473,0				
	1860	1890	2033		570,0				
2500	2020	2050	2193	112	664,0				
	2065	2095	2238		678,0				