

Design features of multigrip end restraint steel fittings



1 Central body

Carbon steel central body conveniently built in order to allow a perfect movement of the gasket inside its dedicated conical seat.

2 Compression ring

Carbon steel compression followers which allow compression of the gasket onto the pipe surface upon tightening the bolts.

3 Gasket

Truncated-cone sealing gasket which can be perfectly inserted between the central body of the coupling and the circumference of the pipe. It allows a complete hydraulic seal and a 30 mm of tolerance range on pipe OD.

4 Bolt holes

Round or square holes for the bolt installation.

5 Compression bolts

The compression bolts allow the approaching of the compression flanges and the consequent compression of the gasket onto the pipe.

6 Radial set of pull-out resistance grippers

Manufactured from C40 tempered steel, they allow the total locking of the pipe. End restraint grippers can be used on PE, Steel, DCI and PVC pipe lines and they guarantee a pull-out resistance action during the installation and their special design allows an easy assembly and disassembly of the coupling without damaging the rilsan coating.

6a Bolts

Bolts of stainless steel 8.8, coated with dacromet, for fixing the gripper elements (6).

7 End restraint containing ring

Manufactured from carbon steel, optimizes the pull-out resistance action, also avoiding the rotation of the grippers during the tightening phase.

8 Connection flange (Flanged version)

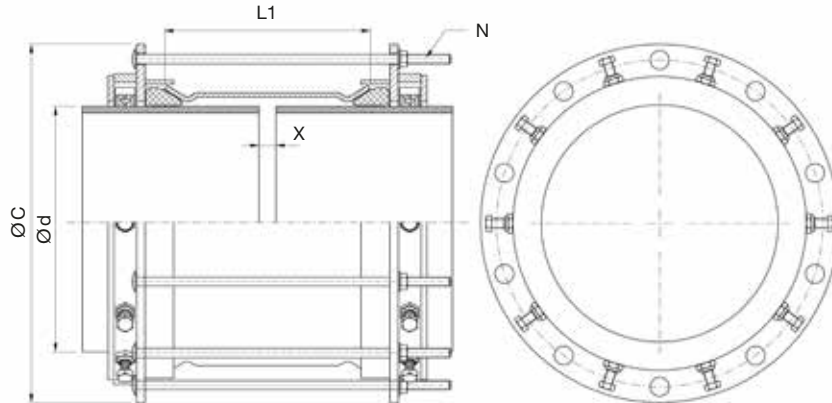
Carbon steel flange.

9 Separate bolts version

The bolts tightening is independent in order to improve the coupling centering and the performances of the gasket.

Multigrip NSMGR-S

Single bolt coupling



PN 10 / PN 16 rated hydraulic sealing and end restraint system

NOVA SIRIA'S end restraint fittings are suitable for the following pipes: steel, CI/DI, PE, pressure PVC.

All end restraint fittings installed on PE or pressure PVC pipes must be integrated with an internal reinforcing liner provided or approved by NOVA SIRIA.

Other sizes or ranges on request

DN	MOP (PN)	Ød		L1	max. external dimension Ø C	Compression bolts	Gap X		Weight	
		min.	max.			Quantity N	max.	min.	PN 10	PN 16
350	10/16	340	370	355	560	9	220	25	101,0	119,0
		360	390		580				105,0	124,0
385		415	600		110,0				130,0	
400		415	445		640	117,0			139,0	
		440	470		660	131,0			153,0	
450		465	495		680	136,0			159,0	
		490	520		720	142,0			166,0	
500		515	545		740	148,0			173,0	
		545	575		788	159,0			181,0	
600		595	625		808	171,0			192,0	
		615	645		828	175,0			197,0	
700		695	725		908	196,0			235,0	
		720	750		933	224,0			245,0	
800		785	815		998	239,0			262,0	
		795	825		1008	241,0			265,0	
		825	855		1038	277,0			285,0	
900	885	915	1098	292,0	301,0					
	900	930	1113	296,0	305,0					
	930	960	1143	308,0	345,0					
1000	985	1015	1198	322,0	361,0					
	1000	1030	1213	326,0	366,0					
	1030	1060	1243	359,0	380,0					
1100	1100	1130	1313	378,0	-					
	1135	1165	1348	403,0	-					
	1185	1215	1398	418,0	-					
1200	1205	1235	1418	423,0	-					
	1240	1270	1453	438,0	-					
	1385	1415	1598	-	-					
1400	1405	1435	1618	-	-					
	1445	1475	1658	-	-					