

SERVICE VALVE

Pre-meter valve with hand wheel



Construction characteristics

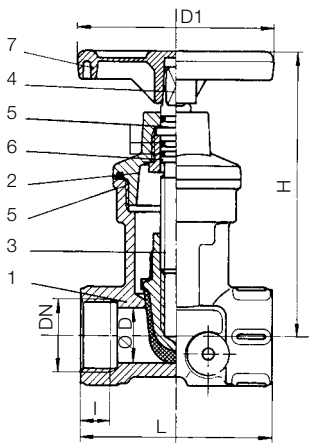
- Resilient seated gate valve with smooth straight through bore with internal threads on both sides
- Not suitable for underground installation
- Housed between the body and bonnet lies the bonnet seal
- All surfaces in contact with drinking water correspond to the hygiene requirements acc. to ÖNORM B 5014/Part 1 (KTW guidelines); the valve plug is drained; there is no valve bag, the internal surfaces allow no deposits

Material | Technical features

- 1/2 **Body (1), bonnet (2)**
DN 20 - DN 25 made of forged brass
- 3 **Valve plug** made of brass, with vulcanised elastomer
- 4 **Stainless steel spindle** with rolled thread guided in brass O-ring bush and triple sealed with O-rings
- 5 **O-rings** made of elastomer
- 6 **O-ring bush** made of brass
- 7 **Hand wheel** made of plastic (optional of aluminium)

Suitable accessories

Installation bracket: No. KR331



DN	Valve				Weight
	L	H	D1	I	
3/4"	90	125	90	12	1,65
1"				14	1,55

No. KR352



Order no.	Version	MOP (PN)	Dimensions / DN	
			3/4"	1"
KR352	internal thread on both sides	16		



E. Hawle Armaturenwerke GmbH 4840 Vöcklabruck - Austria - Wagrainner Straße 13
Tel.: +43 (0) 7672 72576 0 - Fax: +43 (0) 7672 78464 - E-Mail: hawle@hawle.at - www.hawle.com