

EXTENSION SPINDLES

Rigid or telescopic



Design features

- One extension spindle for several dimensions
- Threaded connection for attachment to the service valve
- No additional fixing (bolt/pin) necessary

Order no.	Version	Pipe cover (RD)	¾" - 2"
9101	rigid	0,75 m	
		1,00 m	
		1,25 m	
		1,50 m	
		2,00 m	
		2,50 m	
9601	telescopic	0,60 - 0,80 m	
		0,80 - 1,20 m	
		1,00 - 1,60 m	
		1,30 - 1,80 m	
		1,80 - 2,50 m	
		2,50 - 3,50 m	

Suitable accessories

- **Extender for rigid spindle**
Order no. 7830 price for first meter
Order no. 7831 price for each additional half meter
- Please specify dimensions and length when ordering

Overwind protection for extension spindles

Intentional break system (break-off equipped)

Order no. 7839 (included in standard Service Valve version)

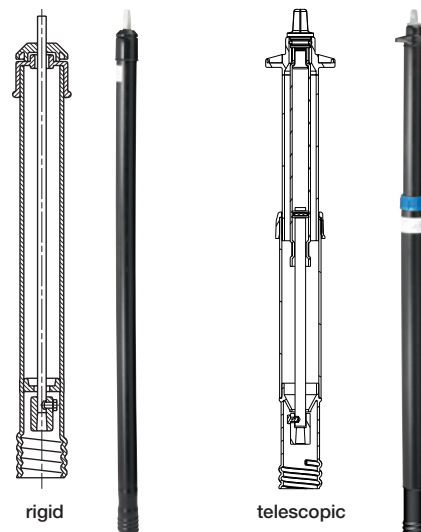
Extension spindle for service valves with threaded connection for spindle DN ¾" - 2"

No. 9101

Rigid

No. 9601

Telescopic



rigid

telescopic

